

THE COURIER

Newsletter of the Lansingburgh Historical Society • July 2017



PRESIDENT'S MESSAGE

EDITOR'S NOTE

Wow! What a turnout we've had for our 3rd annual house tour. We have had numerous comments regarding looking forward to next year and even had two offers of homes to be offered on the tour. This could have only been done through the generous efforts of our volunteers and home owners and we are grateful for that.

Summer is here and we have lots more to do at Melville House but we need your help. We will be working on the garden and doing some more work on Melville Park and at the cemeteries at 107th and 3rd. If you would like to volunteer for a few hours or whatever time you have, contact us at jward26@nycap.rr.com or lhssecretary@gmail.com. Check our website or Facebook page for upcoming events or for some interesting facts and sights about the Burgh and as always thank you for your support.

John Ward

The cover image is a crazy quilt I personally bought that incorporates a ribbon reading "30th Regiment N.Y.S.V. RECEPTION. LADIES' COMMITTEE. POST BOLTON, No. 471, LANSINGBURGH, June 28th, 1887." It had probably been made as a fundraiser for Grand Army of the Republic activities. The reception that year had been held at the Casino Rink on the riverbank at 107th Street and 2nd Avenue. Opened in 1885, it became Bolton Hall in 1895. Following the 1917 State Armory fire in Troy, Joseph Bolton made the hall available for use as the armory until a new one was built in 1921. Bolton Hall burned in 1924.

Honorary Trustee David Marsh's article continues from the September 2016 *Courier*. For that issue and a number of other backissues please visit <http://tinyurl.com/LHScourier>

Also herein is reproduced a July 4th

program that had been printed in blue and red ink for Lansingburgh's final celebration as a separate village and town prior to annexation by Troy.

To Celebrate the Fourth. This year will be the last opportunity the people will have of celebrating the Fourth in the town of Lansingburgh. The town can boast of having patriotic celebrations for more than a century, and as this will be the last it should be of a rousing nature. The Oolah Club has decided to hold a street parade and all the village organizations are requested to co-operate in making the day a success.

Troy Daily Times. June 7, 1900: 4 col 3.

A Farewell Celebration. The Fourth of July celebration and parade was a success in every way. Beginning at midnight, the fire and church bells were enthusiastically rung for half an hour, and a number of cannon and various other forms of firearms fired a general salute.

This form of celebrating was continued until the parade started at 3:30 o'clock. Headed by Grand Marshal Crumby Bolton and Doring's Band, the procession proceeded over the line of march, and many laughable make-ups gave citizens much amusement. Among the most elaborate exhibitions was the one given by the members of the Oolah Club, who presented an imitation of an old-time coach, showing the mode of travel 100 years ago, and a circus band. The best horsemen in the club were attired in the dress and armor of ancient days and were mounted on horses. Two members of the club, Augustus O'Brien and William Higgins, drove chariots, and when the parade arrived on the macadamized road these riders attempted a chariot race for the amusement of the people.

The Majestic Club caricatured the homecoming of the Astor battery. Charles Keene and Cyrus Demers gave a good illustration of an automobile. It consisted of an ordinary flat wagon with the horse concealed in the rear. Robert Davry had an original make-up, and James Sanderson drove a wagon with a number of ludicrous signs on it.

The program of the day, entitled "Lansingburgh's Obituary" was full of local jokes and was edited by W. B. Kirkpatrick, William Higgins and Fred L. Winchell.

Doring's Band arrived at headquarters about 3 o'clock. The musicians played a dirge, and a concert followed.

Troy Daily Times. July 5, 1900: 4 col 4.

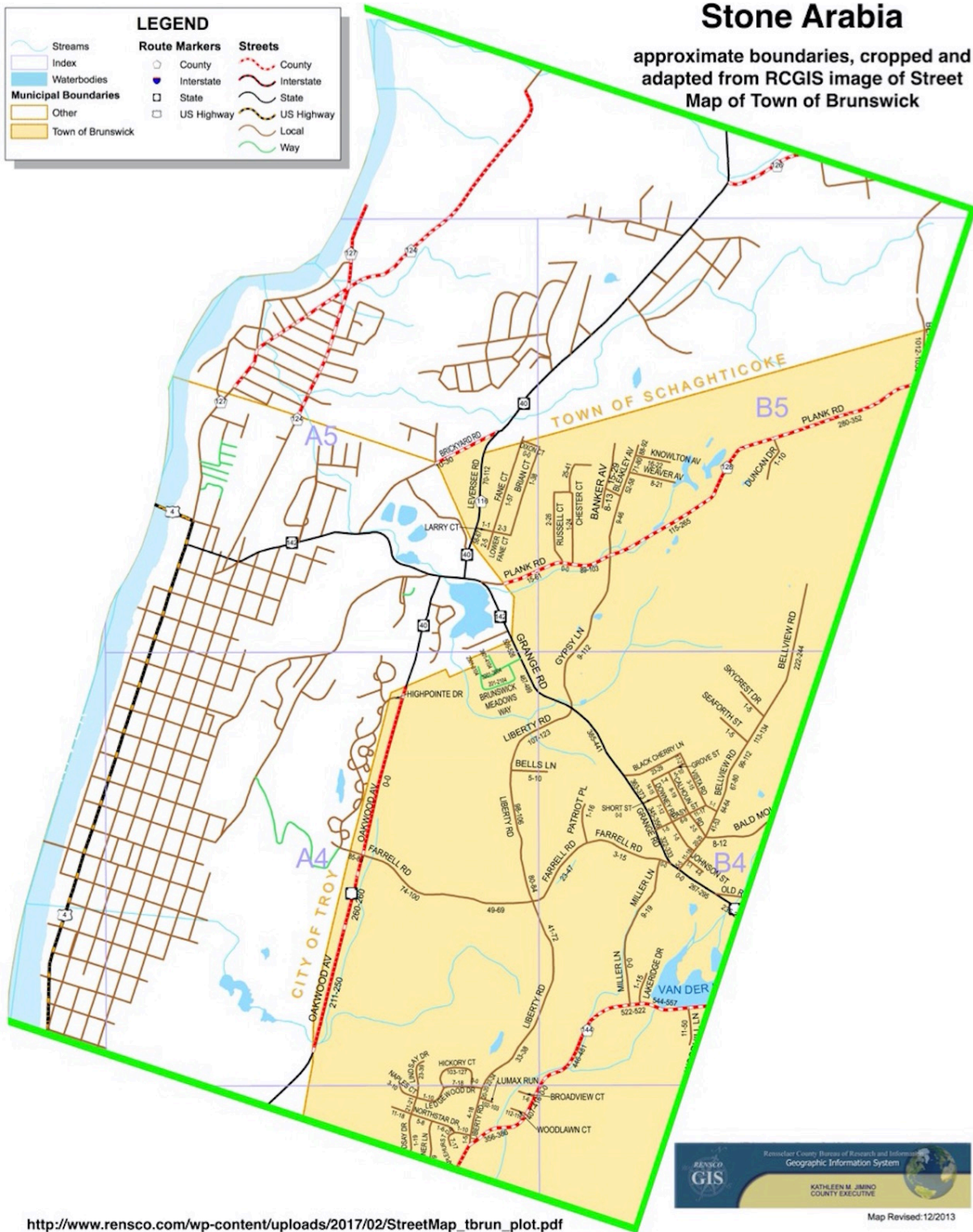
Here's hoping your July 4th this year was a good one! Are there other topics you'd like to see in the *Courier* or on the website? Is there anything you'd like to contribute? Contact toff@me.com

Christopher K. Philippo

LEGEND		
Streams	Route Markers	Streets
Index	County	County
Waterbodies	Interstate	Interstate
Municipal Boundaries	State	State
Other	US Highway	US Highway
Town of Brunswick	Local	Local
	Way	Way

Stone Arabia

approximate boundaries, cropped and adapted from RCGIS image of Street Map of Town of Brunswick



The conveyance of the territory embraced in the Stone Arabia patent, by Robert Wendell, jr., heir of Johannes Wendell, to Abraham Jacob Lansing, begins with these words: "This indenture made and concluded the 31 day of June in the 3 year of the reign of King George the third & of our Lord 1763, between Robert Wendell of Steene Arabia, in the county of Albany, in the province of New York, yeoman of the one part, and Abraham Jacob Lansingh of the same place, gentleman, of the other part." The price paid for the land was "the sum of three hundred pounds currency money." From the above tract was excepted a part which had been sold previously to Simon Van Antwerpe, but which was then owned by William Rogers.

The name Steene Arabia, or Stone Arabia, given to this land was bestowed most likely on account of the great quantity of coarse gravel and water-worn stones which were thickly embedded by deposition in its surface soil. It was perhaps, this peculiar condition of the land that induced Abraham Jacob Lansing to have a part of it surveyed and laid out into building lots in 1771.

Weise, A. J. *History of the Seventeen Towns of Rensselaer County, from the Colonization of the Manor of Rensselaerwyck to the Present Time.* Troy, NY: J. M. Francis & Tucker, 1880. 32.

2017: Bicentennial of the Bicycle

They've had a role Burgh history, of course; the Rensselaer County Sidepath Commission referred to in the 1901 article below seems to have existed at least from 1899 to 1905. The "horseshoe" seems to have been the name for the bend formed by the intersection of the New Turnpike Road and the River Road. The bicycle path map here includes both the Town of Lansingburgh and that portion of the Town of Brunswick that had been part of Stone Arabia. — CKP

Work of the Sidepath Commission.

The Rensselaer County Sidepath Commission has issued the following statement:

The Rensselaer County sidepath badges have arrived and will be on sale at the usual places. The price will be \$1 as in former years. They will be similar to those in 1900, differing slightly in shape. The Sidepath Commission has for some time desired to build a path along the east bank of the Hudson to Mechanicville, as not only is it the most beautiful ride in the vicinity, but the river road is never in condition for riding and on account of the very limited amount of travel it is hardly likely to be macadamized. The delay in beginning this path arises from the very hard problem confronting the Commission in the first two miles to the Rifts. There is not probably within the limits of the state so difficult a piece of path as this to build, and the Commission would be glad to have those riders who complain of delay in path building devise a plan for successful sidepath along that section of the river road. Once past this the rest is easy. Through the spring and summer much study was given to the problem presented on that two-mile stretch, but not until fall was a plan evolved that promised success. Before beginning the work it was necessary to get the permission of the Road Commissioners of the town of Lansingburgh, and this delayed matters until it was thought best not to begin work before this spring. Now there is a proposition to put this piece of road in good shape, and it is necessary to await the outcome. The Rensselaer County riders bought only 637 badges in 1900 as compared with 6,180 Albany County badges sold. It requires money to build a good path such as is proposed, and unless the Commission has the necessary funds the path cannot be built. Every Rensselaer County badge sold means a dollar spent on paths in the county, and the right to use any county path in the state.

The horseshoe path was put in excellent condition, and would sooner have become so if the riders had used it more. Much derogatory talk has been indulged in regarding this path, the Troy riders not seeming to know that none of their money was used for it. Lansingburgh people asked for it and have more than paid all the expense; \$75 also was donated by a few gentlemen toward the work. The same is true of the path from Rensselaer toward Castleton. Only the funds raised in that section were used on it, and the surplus is now in the hands of the Commission to be used on other paths.

It was not thought desirable to build paths along roads which will soon be macadamized, as this would involve their destruction or render them useless and the money would be wasted. Schenectady and Albany Counties have had this experience. The roads of Albany County are generally so sandy that the riders will use any sort of a path. The hard roads of this county necessitate the best sort of paths or they are not used. Much fault has been found about weeds on the paths. They grow very rapidly, but in only one spot were they troublesome. The Commission has devoted much valuable time to the service of Rensselaer County wheelmen entirely without compensation, and if the riders wish to have a commission serve in the matter of sidepaths they should give more help.

Not long ago an article in a city paper spoke of one dealer who had paid for 175 badges and expressed wonder where the money had gone. The largest sale of badges was by James Lucey and the next by E. H. Brunelle. Neither sold 175 nor near that number. All moneys not necessarily expended are safe in the hands of the County Clerk, ready for use. This now amounts to over \$700, and a heavy roller is owned by the Commission.

The Commission wish to thank the dealers who so kindly assisted them last year by the sale of badges, and also would warn residents of Rensselaer County that no badges except those of this county are of any value if they wish to ride on sidepaths in the state of New York.

RENSELAER COUNTY SIDEPATH COMMISSION.

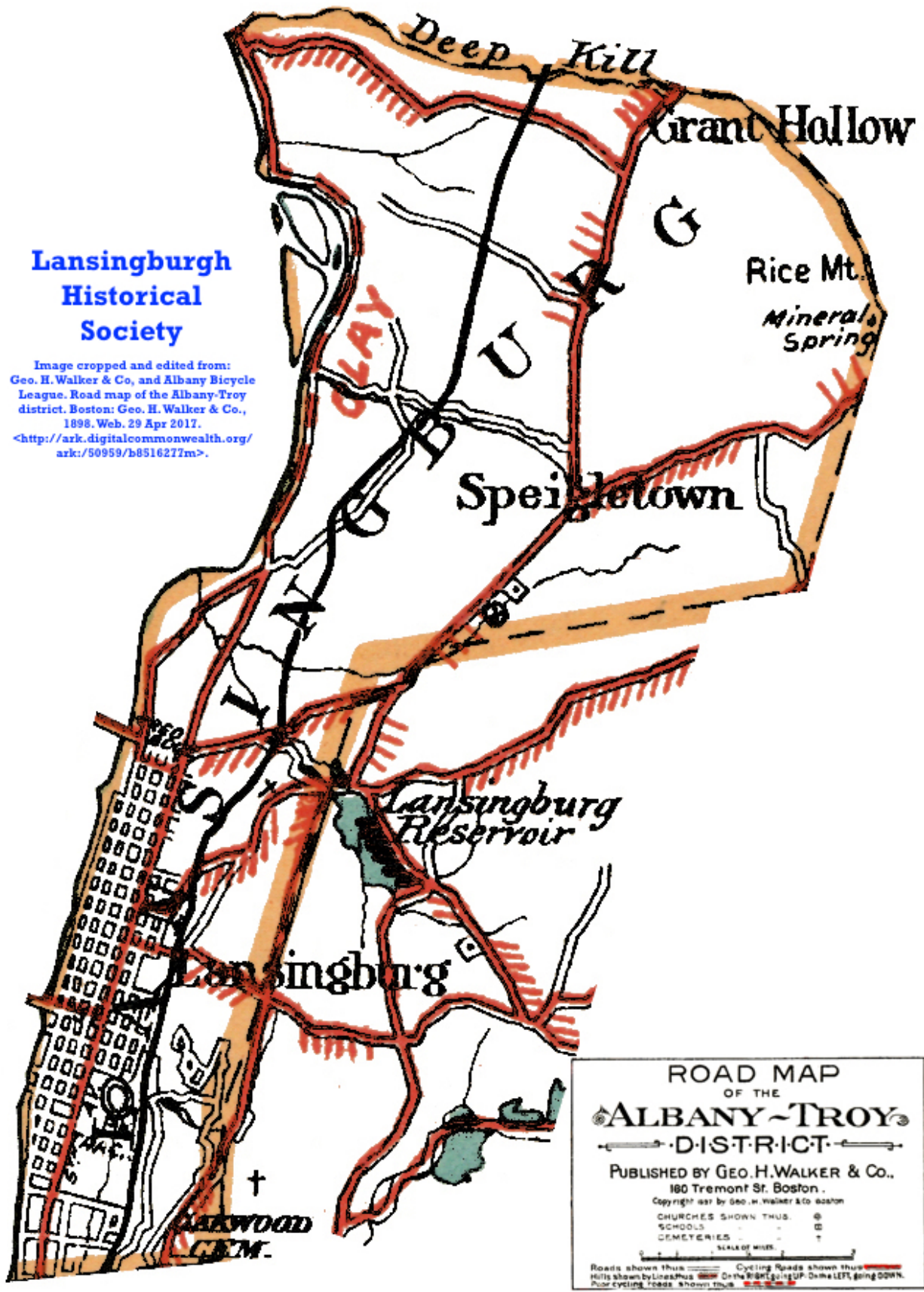
A. G. SHERRY, President.

WILLIAM F. McMURRAY, Secretary.

Troy Times. April 23, 1901: 3.

**Lansingburgh
Historical
Society**

Image cropped and edited from:
Geo. H. Walker & Co. and Albany Bicycle
League. Road map of the Albany-Troy
district. Boston: Geo. H. Walker & Co.,
1898. Web. 29 Apr 2017.
<[http://ark.digitalcommonwealth.org/
ark:/50959/b8516277m](http://ark.digitalcommonwealth.org/ark:/50959/b8516277m)>.



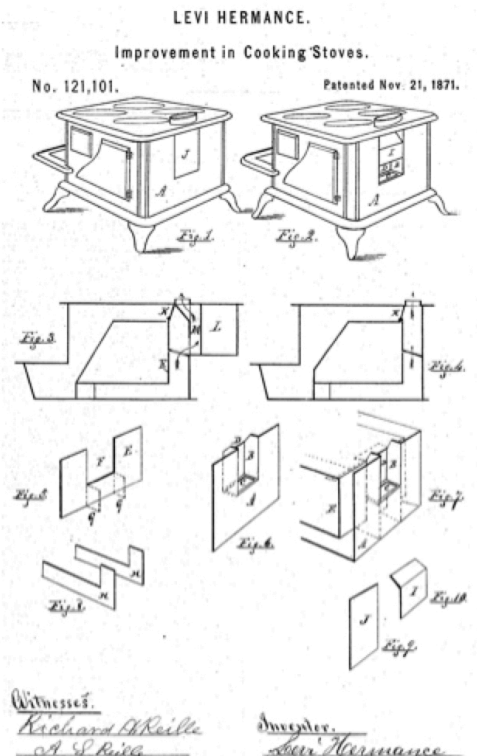
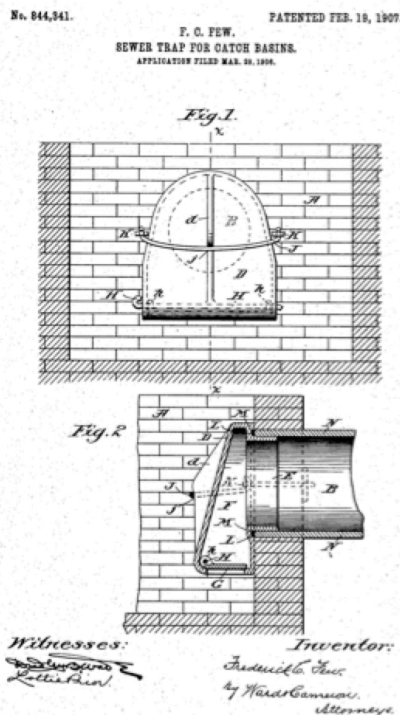
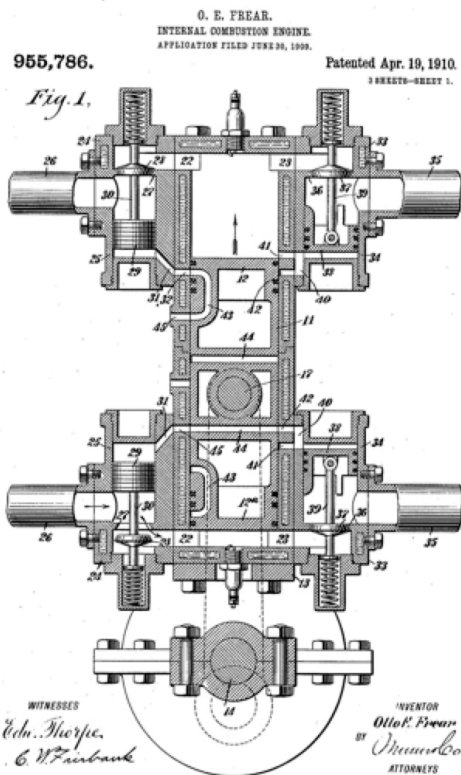
“Cycling Roads” shown in red; one “Poor cycling road” shown as red dotted line (River Road from intersection with Haughney Road past the islands – a segment of road entirely closed today).

The Family of Pelatiah James Marsh of Grafton and Lansingburgh

Pelatiah's mother Laura and his sister Lucy occupied the same Second Ave. mansion with his family but by 1875 they had acquired the brick house next door which they occupied together until Laura's death in 1878. Lucy then lived alone in a house at the southwest corner of Whipple Ave (present Fifth Ave) at Van Schaick St. (present 102nd St). A Troy Times Record newspaper article in July 1952 called attention to the demolition of properties in the 102nd Street at Fifth Ave. neighborhood. It reported destruction of buildings at the southwest corner of that intersection to make space for the Central Market which was expanding just west of the corner. It mentions that Lucy Ann Marsh had owned the two story corner building which housed the William Frederick grocery store on the ground floor and a residence apartment above where Lucy resided. It goes on to say she also owned the two adjacent properties to the south, one a vacant lot and the other a brick building. That same article refers to the demolition of the "P.J. Marsh mansion" at 102nd Street and Second Avenue.

Pelatiah began as a lawyer in general practice in Lansingburgh. He also had an office at 285 River Street in Troy. During the late 1880's he had an office at 55 State Street in Albany. In 1907 and 1908 he worked from an office at 68 State Street. Some of his early work involved assisting local veterans drafting depositions that would enable them to receive pensions or other restitution for service in the War of 1812. While just starting his law practice and living with his mother and sister in West Troy (Watervliet) he filed a claim for John Vandebogart of Stephentown seeking recovery of costs he incurred for loss of clothing and supplies while serving with his militia unit under Col. VanRensselaer.

Marsh shared ownership of several patents. Otto Frear and Frederick Few of Albany had collaborated in the invention of an internal combustion engine. In 1910 PJ Marsh applied for the patent with them and owned one third of it. Frederick Few of Albany had invented and sought a patent on a sewage trap for use with catch basins in municipal sanitary and storm drain systems. PJ Marsh sought and acquired the patent for one-half ownership. Levi Hermance of Lansingburgh had invented and patented an improvement to the cooking stove for which PJ Marsh held a half ownership.



Patent images from <https://scholar.google.com>

Pelatah's greatest interest though was in real estate and more specifically land speculation. There are records of him buying and selling parcels of land in Brooklyn in the late 1890s. He would often buy properties on which owners had defaulted in payment of taxes, then sell those properties for much more than he paid for them. Judging from records of property transfer, his wife Lelia often represented him in the transactions. Many transactions involved the acquisition and sale of timber land for lumbering companies in northern New York and the Catskill region. Later the transactions were sales to New York State as Forest Preserve lands were being acquired.

Some history of the Forest Preserve and the Adirondack and Catskill Parks is in order here to understand the significance of these land deals. As the Revolution ended and New York became one of thirteen states, land ownership in northern New York went from the Crown to the State. Until about 1850 much of the mountainous parts of New York remained true wilderness country with few roads and no development. A few resort hotels that were accessible by stage coach became known as places of rest and relaxation for a few affluent New Yorkers. Awareness of these resorts came with publication of *Life in the Woods*, a book by Joel Tyler Headley, a politician who had been associated with Horace Greeley and his New York Tribune newspaper.

The US Civil War and period following it was a time of industrial and urban growth in New York State. Around 1869 William Henry Harrison Murray aka "Adirondack Murray" began publication of two books which attracted the attention of well-to-do New Yorkers, *Adventures in the Wilderness* and *Camp Life in the Adirondacks*. Both books extolled the Adirondacks as a place of renewal, peace, quiet and spiritual growth. More people sought the advantages of the growing number of hotels and places of rest and recreation in the north country. In 1870 Thomas Durant built a railroad from Saratoga to North Creek. Then his son, William West Durant began building "great camps" for a few of the very wealthiest of urban New Yorkers to enjoy these wilderness areas and entertain their business and social contacts. Thomas Durant bought a half million acres of Adirondack land and planned to build a railroad that would go from Saratoga into Canada. This was the beginning of Adirondack development.

The post war economic growth of the 1870s drastically increased the demand for lumber, paper, charcoal, and other products of the forests. Lumbermen bought up hundreds of acres of accessible forest land at low price to feed the saw mills and paper mills on the edges of the Adirondacks. Huge tracts were clear cut and abandoned, often leaving debris as fire hazards with no effort to reforest. No taxes got paid on the lands which were seen to have no value.

At about the same time Verplank Colvin was employed by the State of New York to survey the up-to-now unmapped northern New York counties and towns. He and his surveying teams remarked about the vast areas that are being clear cut and abandoned. Colvin warned politicians and the public about the potential damage to the water resources of the state and in particular to the Erie Canal which was the commercial life line for the state and region. The canal was as important to business at that time as the interstate highway and railroad systems are today. Colvin advocated for control of lumbering and deforestation.

Colvin's views on protection of forest land received support almost a decade later when Charles Sprague Sargent, Curator of the Arnold Arboretum at Harvard University and the author of the *Report on the Forests of North America* and other books on North American forests became the Coordinator of the USDA National Forest Census Project. Sprague recommended that the forests of northern New York be placed in a preserve, protected as "wild forest land". Those words became historically very important when the New York legislature in 1885 created the Forest Preserve. It includes all of the NY State owned land in Clinton, Essex, Franklin, Fulton, Hamilton, Herkimer, Lewis, Saratoga, St. Lawrence, and Warren counties. Later Oneida, Washington, Delaware, Greene Sullivan and Ulster counties were added to the Forest Preserve.

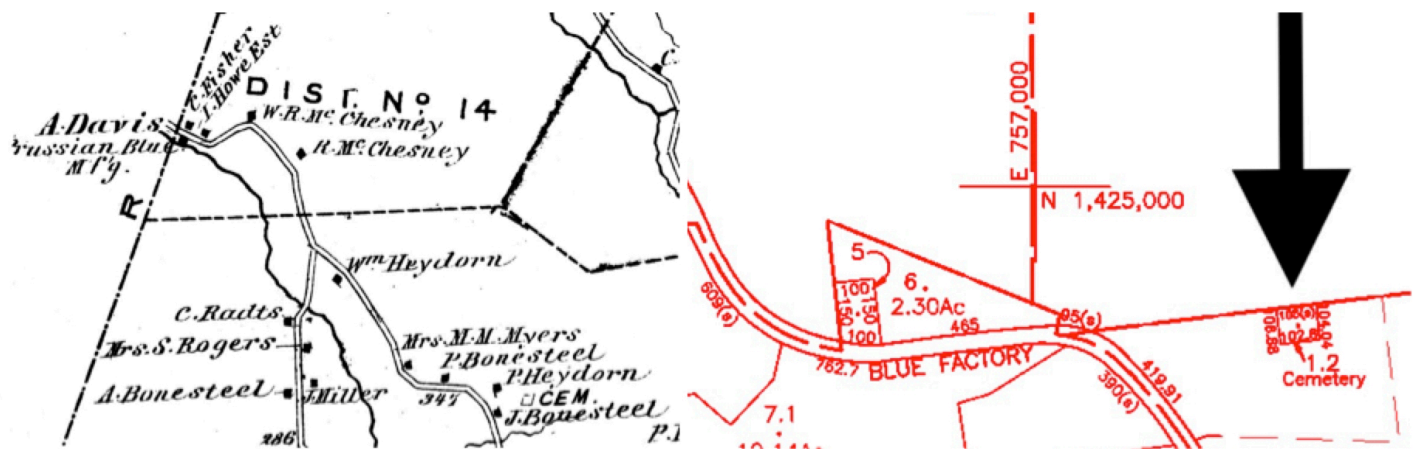
In 1890 the New York legislature appropriated the first \$25000, to purchase land for inclusion in the Forest Preserve. In succeeding years until 1902 additional appropriations of \$1 million (1897) and a half million (1898) were made for land purchases. In 1892 the state placed a blue line on official maps of the ten county area and designated the lands within as the Adirondack Park. In the 1895 State Constitutional Convention a provision was proposed for the new constitution which would protect the Adirondack Forest Preserve lands as "forever wild forest lands". That gave constitutional protection to the Forest Preserve which has continued to this day in revisions of the state constitution.

With a continuing supply of public money available, speculators had a field day buying and selling land in the park for the Forest Preserve. Pelatiah Marsh was among them. George Underwood, a Director of International Paper Co. and President of the American Realty Company. was raised in Horicon and Fort Edward. As he amassed a fortune he lived in luxury in Manhattan. The Underwood Club in Underwood, Essex County is named for him. Another of the players was a corporation lawyer named George Ostrander of Albany. He owned the Raquette Falls Lumber Co. and was married to Harriet Finch, widow of the founder of Finch Paper Co. Ostrander was involved in a number of shady land deals but was politically active and made money on Forest Preserve land sales. Truman Whitman was from Wells in Hamilton County but raised his family and owned a saw mill in Gloversville. He was one of the smaller players in the land sales. There were many others. About half of the transactions which Pelatiah Marsh and or Lelia Marsh made on sales of land of land to New York State were done cooperatively with one or more of these three speculators.

A Forest Preserve Board was created and authorized to acquire lands by purchase and condemnation when necessary to continue the additions to the preserve. It created a land officer position in the agency who had the power to negotiate purchases. He became politically important among people like Pelatiah J Marsh who were in the business of buying and selling land from timber companies and others. Marsh and his wife and others bought land for the Forest Preserve as cheaply as possible, reselling it for as high a price as possible, often with profit two, three or four times what they paid. Between 1894 and 1907 Pelatiah negotiated and sold 54 parcels amounting to 25895 acres of forest land for \$74201. In today's economy that would amount to more than \$2 million dollars. It amounts to a tidy sum for an attorney who was also invested in railroad and other valuable stock, collected royalty on patents, and earned income from other ventures.

Lelia Marsh died in 1905. When Pelatiah died in 1911 the bulk of his fortune went to their daughter Mary Ada Marsh who had cared for her parents at the Second Avenue home. The mansion was sold. Mary Ada moved to Providence to be close to her brother George Tracy Marsh. There is a Marsh plot in Oakwood Cemetery with an obelisk and several foot stones marking the graves of the family members including the Haskells and Dr. James Marsh. I attempted to visit the graves of the Rev. Prentiss Marsh and his wife Laura and daughter Lucy Ann. They were said to have been buried in the Bonesteel Cemetery on Blue Factory Road in the Town of Grafton. That cemetery is on private land behind a residence on the east side of the road a mile or so from the Route 2 intersection. The Marsh plot at Oakwood has a large memorial with three commemorative sections honoring Rev Prentiss, Laura and Lucy Ann. I suspect but have no proof that Pelatiah may have moved the remains from the Bonesteel Cemetery to Oakwood after he established the plot.

David Marsh



Details showing Bonesteel Cemetery on 1876 Grafton map and current Grafton tax map.



Fifth Annual Clam Steam **Saturday, August 12th, 2017** **Veterans of Lansingburgh Pavilion** **1:00 pm to whenever**

Included- Served throughout- raw & steamed clams, hamburgers, hot dogs, sausage & peppers, clam chowder, beer & soda.

Dinner- Steak or bbq chicken, baked potato, corn on the cob, tossed salad, dinner rolls, watermelon, dessert, coffee or tea.

Price- \$45 per person- payable with registration

There will be a 50/50 raffle – proceeds to Lansingburgh Historical Society

Contact- Kathleen DeRosa at kathleenderosa@yahoo.com

Or 325 6th Ave, Lansingburgh, NY 12182. Provide dinner choice with registration (and e-mail for receipt of payment).

The poem “The Village Cannons” by “Slamintina Bones” in the Lansingburgh “Obituary” July 4th, 1900 program

The Green at 112th actually did feature cannons for 35 years until the City of Troy sold them for its own profit rather than refurbish their carriages. The name’s a play on that of an actual newspaper poet of the Burgh, Clementina Jones. - CKP

A committee consisting of Village President Skillman and Trustees Bolton and Roemer, was appointed with power to obtain and place in position cannon in the village park.

Bids were received for the painting of the fence about Powers Park and the fountain in the village park, and Trustee Green was empowered to investigate the bids and report at the next meeting.
“Lansingburgh.” *Troy Daily Times*. June 30, 1900: 4 col 4.

—Charles Wood has been authorized by the Village Trustees to secure cannon for ornamental purposes to be used in the village parks. There not being enough money in the treasury to purchase the cannon and Mr. Wood having offered to purchase the cannon and hold the cost as claim against the village, he was authorized to do so by the Trustees.
“Lansingburgh.” *Troy Daily Times*. November 14, 1900: col 3.

Cannon For the Park. President Skillman reported that the mortar to be placed in the village park had arrived, and another cannon, weighing 7,200 pounds, had been secured. A resolution was adopted on motion of Mr. Gray that the sum of \$150, or as much therefore as is required, be expended by President Skillman and Mr. Bolton, as a committee, to pay for transportation of the guns to Lansingburgh and placing them in position on suitable foundations in the village park between Thirteenth and Fourteenth Streets, and an audit was ordered drawn to them for the amount. On motion Clerk Miter was empowered to reindex the books and papers of the village at an expense not to exceed \$100, the same to be done under the direction of the authorities of Troy.
“Upper Troy.” *Troy Daily Times*. January 2, 1901: col 3.

A Cannon For the Park. The six-inch cannon secured from the United States government by the old Board of Village Trustees arrived in this city yesterday from Fort Wadsworth, New York harbor. It will be stored with the mortar, which arrived about three weeks ago, and both pieces will be mounted in what was formerly the village park in the spring at the direction of ex-Village President Skillman and ex-Trustee Bolton, the committee appointed to take charge of the matter. The sum of \$100 is at the disposal of the committee for that purpose.
“Upper Troy.” *Troy Daily Times*. January 15, 1901: 4 col 2.

—A meeting of Post Bolton [Grand Army of the Republic] will be held next week, when arrangements will be made for exercises to be held in connection with placing cannon in the village park at Twelfth Street.
“Upper Troy.” *Troy Daily Times*. May 18, 1901: 4 col 3.

Board Goes Pacifist. The Board of Aldermen also went pacifist last night. With one sweep of its legislative arm, it ordered the elimination of the artillery which has been keeping watch and ward over the Lansingburgh section these many years. The action was the result of the following resolution by Alderman Jensen of the 15th Ward:

“Whereas, The Ancient and Honorable Artillery of the village of Lansingburgh did adorn the village park between 112th and 113th Streets by the addition of one mortar of Civil War fame and one cannon of Spanish-American War fame; and

“Whereas, The carriages of these cannons are now deteriorated; and

“Whereas, The recreational facilities of the park are limited due to the space occupied by these cannon; therefore, be it

“Resolved, That the Commissioner of Public Works be authorized and directed to remove said cannon and dispose of them advantageously to the city.”

“City Will Renew Tax and Revenue Deficiency Notes; Several Lansingburgh Ordinances Adopted at Meeting Last Night.” *Troy Times*. May 18, 1934: 5 col 3.

Veterans Banners



A veteran banner has been hung on the corner by Snowman for John Gordon Morrison, who resided in Lansingburgh and who had received the Congressional Medal of Honor. In 1943 the USS Morrison was named for him, on which Burgher and veteran Donald A. Lajeunesse served in World War II. LHS sponsored the John G. Morrison banner to honor Mr. Morrison.

For some more information about both the man and the destroyer named for him see <http://tinyurl.com/jgmorrison> (which will redirect to the page on the LHS website for him).

For the banner project see:
Troy Military Banner Committee
<http://www.facebook.com/noraann722/>



Help LHS with Things!

SHED

LHS obtained a number of new chairs which visitors should find much more comfortable for presentations at the Melville House. Space is limited, so to store them when not in use we're looking at obtaining a shed. If you can help us build or buy one inexpensively (or have one in good condition to donate), please let us know!

COMPUTER

LHS is working on digitizing more of its collections to share on Facebook and the website. These files are being stored on flash drives and Trustees' home computers. There's no computer at the Melville House; it could be very useful if there were one there. If you have an old computer in working order you'd be willing to donate, please let us know! A printer/copier/scanner could likewise be useful.

Help LHS with Ideas!

Are there things in the newsletter or on the website you liked and would like to see more of, or are there things you haven't seen but would like to see? Let us know! (If you're interested in contributing, so much the better!)

If you haven't attended any of our open houses, Burgher Bashes, lectures, etc. — what has kept you away? What might encourage you to attend?

Help LHS with Activity!

LHS could often use assistance with weeding & gardening. We're also working on mapping Lansingburgh's old cemeteries, scanning photos & documents, improving our record-keeping & filing, looking for grants for which we can apply, and more. If you're willing to get more involved, let us know!

Online Newspaper Archives with Rensselaer County Newspapers

More and more old newspapers are being digitized and rendered searchable online, great for genealogical and local history research among other things! Most are subscription-based, though some of those do offer free trials.

newspapers.com

newspaperarchive.com

Times Record and Troy Record 1943-1977

genealogybank.com

American Spy 06/17/1791 – 02/27/1798

Farmer's Oracle 02/28/1797 – 04/17/1798

Farmers' Register 01/25/1803 – 12/25/1820

Federal Herald 04/28/1788 – 06/07/1790

Lansingburgh Gazette 09/18/1798 – 10/23/1827

Troy Times 07/25/1863 – 03/31/1903

Troy Gazette 09/15/1802 – 03/17/1812

Troy Post 09/01/1812 – 03/18/1823

Troy Record 04/01/2005 – Current Recent Obituaries

nyshistoricnewspapers.org

FREE!

Lansingburgh Courier (1875-1876, 1879-1894)

Lansingburgh Democrat and Rensselaer County Gazette (1844-1848)

Lansingburgh Democrat (1849-1861)

Lansingburgh Gazette (1879-1880)

Lansingburgh State Gazette (1880-1883)

Lansingburgh Weekly Gazette (1865-1866)

Northern Budget (1798-1808, 1810-1818)

Semi-Weekly Chronicle (1864)

Troy Weekly Times (1856-1859, 1862-1869, 1872-1878)

fultonhistory.com

FREE!

Schaghticoke Sun (1897-1898, 1913-1916, 1920-1926)

Troy Budget (1834, 1840-1854)

Troy Daily Times (1851-1854, 1856-1860, 1863-1867, 1869-1874, 1876-1878, 1880, 1882-1902, 1904, 1906-1915, 1917-1920)

Times Record (1935-1973)

Troy Times (1921-1934)

Troy Daily Whig (1834-1840, 1842-1873)

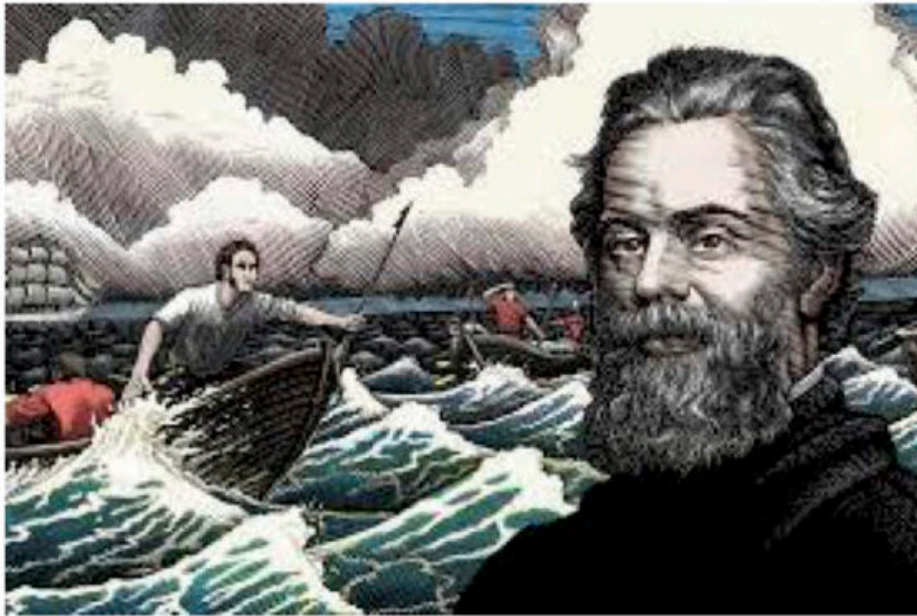
Troy Daily Post (1847-1851)

The lattermost can be tricky to use, but it's worth trying to master. Often selecting "Boolean" from the drop-down menu near the search window is useful. Searches can be limited by place of publication and or date, e.g.:

Lansingburgh and (Filename Contains (Troy NY))

("upper troy" or "north troy") and (Filename Contains (Troy NY)) and (Filename Contains (1834~~1973))

For more about Boolean searches see http://fultonhistory.com/Fulton_New_help.html



LECTURE

“AN ALCHEMIST OF WORDS: MELVILLE’S USE OF SOURCES”

The Lansingburgh Historical Society (LHS) celebrates the 198th Anniversary of Herman Melville’s birth at its Fourth Annual Open House and Melville Themed Lecture.

Our guest lecturer this year is noted Melville authority and author, Mary K. Bercaw Edwards, PhD. Dr. Bercaw Edwards is an Associate Professor of English and Maritime Studies at the University of Connecticut.

Following the lecture, we cordially invite you to enjoy light refreshments, and birthday cake.

The Melville House, the 3rd floor Museum, and the 2nd floor private residence, will be open to tour at your leisure. Melville’s first two novels, “Typee,” and, “Omoo,” were written in the second floor study.

Donation Requested
Members \$5/Not-Yet Members \$6

**Saturday
July 29, 2017**

**At the Herman
Melville House
2 114th Street
Troy, NY 12182**

**Doors Open at 10,
Lecture at 10:30
Refreshments and
Cake to follow**

**The Melville
House will be
Open to Explore
10 AM to 2 PM**

**THE LANSINGBURGH
HISTORICAL SOCIETY**

**2 114th Street
Troy, NY 12182**

518-885-4295

<http://lansingburghhistoricalsociety.org/>

THE OBITUARY.

LANSINGBURGH, REQUIESCAT IN PACE, 1900.

OBSEQUIES JULY 4, 1900

AT 3.30 O'CLOCK,

--Under the auspices of the--

RIOTOUS ORDER OF FILIBUSTERS,

--- ASSISTED BY ---

Other Freaks, Pipe Dreams
And Fantasies.

FAREWELL ! ! ! !

The staid old Village of Lansingburgh, noted for its beautiful girls, public-spirited and philanthropic citizens, its shade trees, paved streets, special elections, office holders and Home Brewed Tea, will take a day off and celebrate its own funeral.

After being bucked and gagged, chloroformed and sand-bagged for many years but always managing to escape total extinction, after a hard fight, they were finally "Collared and Cuffed" to death by ex-Gov. Blank and his cohorts.

It was deemed but fitting that some unusual demonstration should be held to properly celebrate the sad event, therefore, after a series of public meetings held at the rooms of the LuLa club, situated on the avenue owned by the United Traction Co. and a few citizens of the Fourth Ward, it was unanimously resolved to accept the services of the ancient and riotous organization of Phil-Busters -- Therefore all members that are out on bail, have paid their fines, or broke out of jail, or the work house, together with the sad and weeping mourners now in office and all those who were slated for office, will assemble at headquarters properly equipped for the occasion, and decorously and sadly, riotously or joyfully,

but completely bury or cremate the tough old defunct. In order to allow Judge Walsh to enjoy his daily sleep, do his chores, read all the daily news at Jim Moores expense and explain and enlarge on same, the obsequies will not take place until 3.30 p. m.

Grand Marshal Bolt-tone will direct the line of march over the principal streets so that all may have a chance to view the remains and "rabber" at the mourners. All old-time bums, beats, tramps and loafers will be on hand, Norm. Tailer and Gene Von Kelt mounted on trained bulls will be on hand, accompanied by a lusty company of faithful followers. Norm., heretofore, usually rode a goose but in order to do justice to the occasion he will ride a blooded bull this year. The geese will be along however, mounted or otherwise, watch for it. The honorable gentlemen composing the ancient, sleepy order of old women known by the malodorus title, The Village Board of Trusty's (who would trust them?) in full mourning regalia:

Ray-more and George All-beer of the First ward;
Bol-tone and Chap-woman of the Second ward;
Dick Blue and Jeems Glas-pie of the Third ward; and,
The two foreign strangers of the Fourth ward.

The two last named will make their first visit to that portion of the village above Fifteenth street. It will be an entertaining and instructive event for them as they have always labored under the impression that the village consisted of a portion of land between first street and Bolton's Brewery. It will also be a great opportunity to the residents of the village proper to become acquainted with the two strange beings who have so assiduously looked after their interests, (in the Fourth ward.)

The Water Board will be headed by Billie.

The School Board will be headed by Billie.

The Beacon Electric Light will be headed by Billie.

All other boards and societies not especially mentioned will be headed by Billie.

Police Board will be headed by Dr. Mike Gee.

Town Board will be represented by full board of town pensioners \$2 per representation.

The "Chief" of Police will be in full costume and will pose in one of his many favorite attitudes.

These very, very dear friends of the deceased will act as chief mourners, Pall bearers and Guards of honor.

The dear friends will consist of Bicycle freaks, Automobile cranks, Golf minnies, Clowns, Tramps, Rough Riders, Dads and other harmless imbeciles. The Press will be represented by Freddie L. Witchhill, the "slick one" of journalism.

The Army by Comrades Bust and Wreed, chuck full of enthusiasm and Glory---more enthusiasm than glory.

The Navy by Commodore O'Kneel, the man who taught Dewey.

The Bar by See-E-Kee-each. Some doubt is expressed as to this gentleman's appearance, but it is 16 to 1 that Calvin E. will appear in his acrobatic somersault performance on his Silver Mule "old Democracy." Cal. has been in training 4 years and expects to land, right side up, in March 1901. Our old "Friend," the only original continuance performance assessor, will make his last appearance. Adam may have been the 1st man; our "Friend" was certainly the 1st assessor. It is claimed by many that he assessed the Ark. While there is little evidence to prove this claim, there

(Continued on Second Page.)

The Obituary.

Published at the end of each century.
Advertising rates made known upon
application to Adam Green.



LANSINGBURGH, JULY 4, 1900.

THE OBITUARY.

LANSINGBURGH, N. Y. July 4, 1900.

Published just because the people want it. Terms of subscription: One vote against unfair annexation. Copies will be sent free to all who ask for them, if they call for them. Those who do not call for them can get them by coming to the office.

The price has been reduced to \$100 a copy and the subscription list has far excelled the expectations. No more will be printed after this issue as the editors have become wealthy—in experience. Soliciting your patronage on a larger scale than before,

We remain yours truly,

FRED. L. WINCHELL,

FRANK HIGGINS,

WALLACE B. KIRKPATRICK,

Editors and Sole Proprietors for this Special Occasion.

We have had our attention drawn to the fact that the United Traction company have been placing "seats" along the street owned by them, without asking permission from the ancient order of old women, known as the board of "trustees." This is a wrong thing for the company to do, and the "trustees" should throw down the gauntlet and ask for compensation.

We as down trodden, buncoed, hypnotised lobsters should insist that the company furnish cushions, as there is one or two slivers in the "benches." One of our editors, Freddie by name, will swear to this. The "trustees" will do well to see to this.

OBSEQUIES JULY 4, 1900

(Continued from First Page.)

is absolutely none to disprove it. "Doty" says it is true and "Doty" is no amateur in the office holding business.

A salute of 45 guns will be fired at noon time under the personal supervision of Fire Com. Wiggins and his able assistants "The Squire and "Jack."

The commissioner has arranged dummy figures of Gov. Rosie-Belt, ex-Gov. Billack and Assemblyman Gall-Breath and will train the guns on them. President Killman, with his registered, copyrighted, trade mark laugh, will be

on hand to give an imitation of his well known Ha, Ha, every time a shot strikes their anatomy. It will be a "skarry" business from beginning to end. The ambulance will be on hand containing old time "stiffs," Back-numbers," "Has-beens" and those who fell outside the breastworks, "Charlie" H. from the first, "Billie" of the 2nd, "Natie" of the 3rd, "Gene" of the 4th, and others.

The Yu La club will be represented by the brothers Brine, Gus and Charlie. Charlie will ride, of course. Watch GEs throw bouquets at himself.

The French nobleman, Joseph La-Chappie-de-Lane, will grace the occasion with his august presence and incidentally hypnotise the "Babies" with his graceful shape and winning manners.

The "Tiger" will also be in line on the installment plan. Watch him Wring-er the "rugs" and "clocks."

George Gooseberry says he will be there even if he has to pay alimony. He wants it understood there is no rope on him.

Trustee All Beer does not relish the idea of "paying money to go to his own funeral, aint it," but will be on hand as he has made arrangements to get bail in case he is indicted for flagging the appropriation.

TELEGRAPH.

NOTHING LEFT.

[Special Dispatch to the OBITUARY by Clothes Line.]

JULY ANY TIME, Troy, N. Y.

We have swallowed all there is in sight. Will you continue to cough up all we ask?

WESLEY O. H-----D.

A LIE NAILED.

[Special Dispatch to the OBITUARY.]

There is no truth in the report that George A- - - - -r had bullets in his pocket at the trustee meeting or that Justice Fursman is going to send him to jail.

Signed,

UNCLE SAM,

Chief of Patriotic Dept., Washington, D. C.

HE WILL SPEAK.

[Special Freight Car to the Obituary]

WASHINGTON, D. Q., JULY 3, 1900.

Yes, You can tell Alfred Stickney that he can talk at Twentieth street and Fourth avenue on the aldermanic nomination. We may need some wind that day.

CHIEF OF WEATHER BUREAU.

LATE LOCAL NEWS.

Eddy Rare is making a great Record as a sprinter and will cover the line of march three times.

Prof. "Hoke" Smith, M. D. while not a drinking man, likes to chase a ball, also a pretty girl.

"Wm. R. Hearse," alias "Mac" of the Evening Standard will not consent to review the parade unless the ladies give him compliments on his moustache. This is too bad, like the tash.

Frank Wiggins has prepared to sojourn for several months in Canada. The preparation of the matter in this great (?) journal has overtaxed his moustache and he had it removed again to-day. Frank will be on deck to-morrow just the same.

The Obituary.

LANSINGBURGH, JULY 4, 1900.

LOCAL NOTES.

Whoever said that "Pop" Shampman was going to deliver an oration at the Democratic convention is a vile calumniator. "Pop" will not do any such thing at all, because he is a good Republican and a thorough patriot.

Signed, FIRST WARD.

A correspondent asks if it is really true that "Lou" Derrick shaved off his whiskers so that when the Troy officials take hold of the department that he could prove a case of mistaken identity. We have referred the question to the office cat.

A terrible explosion occurred once upon a time in Consaul's store. Eddie stepped upon a parlor match and was thrown the entire length of the store. It was not until after he landed that the explosion occurred.

It is a task upon the editors of this paper to keep making denials all the while, but we could not let this great and glorious journal go to press without saying that the bout between "Poly" Bissonnette and "Hi" Henry said to have taken place February 30th last, did not take place, as both men were under the prescribed weight.

Owing to the fact that the bells will be rung at mid-night of the third of July and therefore tend to disturb the police and interfere with their slumbers there will be no policemen in line. This step is taken as a precautionary measure as the majority of the force are troubled with nervous prostration.

GRAND MARSHAL'S ORDER.

Details of the Notable Celebration in a Partially Dead Town.

MUSICIANS FOR THE DIRGE.

All Preparations for the Funeral Have Been Thoroughly Finished, Like the Town will be, January 1, 1901.

Headquarters Grand Marshal, Independence Day Parade, Oolah club rooms, Lansingburgh, N. Y., July 3, 1900. General order No. 2.

FIRST DIVISION.

The first division will consist of bicyclists and will form on Second avenue, south of Seventeenth street, Walter J. Pratt, marshal.

SECOND DIVISION.

The Second division will consist of Grand Marshal Crumby Bolton; adjutant Charles H. Mansheffer; Charles E. O'Brien, chief of staff. The following are hereby appointed as aides: John VanDenburgh, Prof. Edward W. Wolf, Morgan R. Kittell, R. M. DeFreest, Village President George E. Skillman, James Gillespie, John Chapman, Richard Green, Wallace B. Kirkpatrick, Crumby Bolton, jr., George Page, Samuel Bolton, jr., Zina P. Greene, Charles F. Roemer, David Hannah, jr., George E. Kay, Henry N. Howe, Charles E. Hall, John Beck, Arthur

B. Cobden, Richard Bolton, James H. Crutchley, Wm. J. Lloyd, W. W. Frederick, Murray P. Campbell, Joseph Wallace, jr., Preston Taylor, George M. Dougrey, Wm. Murray, Samuel Simmons, George Cole, Levi H. Gray and David Maerea.

Dorings Band.

Ancient Order of Druids.

Majestic Club.

Fake Hook and Ladder Co.

Individuals and Groups.

THIRD DIVISION.

Band.

The Oolah Filibuster Club.

FOURTH DIVISION.

Charles B. Keene and Cyrus Demers, marshals.

Business wagons and other vehicles.

Form on Third avenue, right resting on Seventeenth street.

Official:

CRUMBY BOLTON, Marshal.

Charles H. Mansheffer, Adjutant.

Charles E. O'Brien, Chief of Staff.

Private Willie H - - s who served all through the Spanish war (at Tampa) will give an exhibition of his skill in training Jackasses. This daring horseman has secured the Jack used by Slade the popular coal and lumber dealer of Waterford, and will put him through his paces along the line of march. That there may be no mistake in distinguishing them, would state that the Jack will be decorated with a red rosette. Will wear a white rose.

Hereafter all those who desire to ride upon the cars of the United Greed Company will be forced to have a certificate signed by at least 1,000 residents.

THE PAY-RADE.

Ye grand marshal Bolt-tone has issued the following proclamation:

Headquarters of Grand Marshal Independence Day Parade, Oolah Club Rooms, corner Nineteenth street and Second avenue, Lansingburgh, July 2, 1900. General order No. 1: Grand Marshal Crumby Bolton announces all arrangements complete. The order of the afternoon of July 4 will be the assemblage of all participants on Second avenue at Nineteenth street after reporting to the grand marshal. All will be assigned a proper place in line.

All aids will report to the grand marshal at 2.30 P. M. and in every way endeavor to execute the orders of the commandant.

The column will be moved promptly at 3.30 P. M.

All aids and marshals shall report to the grand marshal at headquarters at 2 o'clock P. M.

The musicians will report to the marshal at 2 o'clock and will be assigned to duty. By order of

CRUMBY BOLTON, Marshal.

Official:

Charles H. Mansheffer, Adjutant.

Charles E. O'Brien, Chief of Staff.

LINE OF MARCH.

Grand Marshal Bolton has decided upon the following line of march. Formation at Seventeenth street and Second avenue. Down Second avenue to Second street, to Fifth avenue to Thirtieth street, to Third avenue, to Twentieth street, to Fifth avenue, to Twenty-fourth street, to Second avenue, to Twenty-first street, to Fourth avenue, to Fourteenth street, to Fifth avenue, to Nineteenth street, to Second avenue, where the parade will be reviewed by the grand marshal and staff.

LEADERS.

Bolton's crackers are "Crumby." George All-beer says he "kneads dough." There are others.

Mon Chong no doubt has a good stiff business.

The police wish to have it known that if any person awake them on the Fourth, they will show them no mercy. Try and find where they sleep or you will sleep in jail.

One of the police officers laid a "Wager" that he could "Lock-wood" up, but he was told that it was no "Hughes" as he was a "Bird" and there would be a "Rowe" and he would go "Up-de-grove."

One of the officers had an old hen and he tried to "Palm-'er" off on the chief, but the chief was on to the game.

SIDE TALKS WITH GIRLS.

Dear Editor:

Will you tell a discouraged lady how to win the love of the one she thinks better than the world.

Yours in distress,

PEARL.

We should advise you to go and see Judge Walsh. No doubt he will be able to tell you how, for a small sum of money.--Ed.

Dear Editor:

Once more I send you a letter asking for advice. How can I keep my husband in nights.

Yours,

MRS. BLUE-EYES.

We should advise you to give him Mansheffer's soda water twice a day. If this does not make him stay in, give him rough on rats, and we will guarantee he will stay in nights.--Ed.

Dear Editor:

I have fell in love with another man. How can I be free again?

Yours in haste,

BESSIE.

The advice we give to Mrs. Blue-eyes will apply in your case also.

Dear Editor:

How can I get a young man to call on me at my house.

Yours forever,

MOLLY

We should advise you to do your hair up in a high pomp and walk up Second avenue. Whenever you see a young man wink at him. If this does not secure one the editor is up a tree.

THE VILLAGE CANNONS.

No doubt you've heard tell,

And it's told very well,

Of the cannons we'll have in the park,

But between you and me,

You will certainly agree,

We need no more cannons in the park.

On Monday morning bright and clear,

You'll find the "bums" waiting for beer,

They gaze down the street with anxious eye,

Waiting till the collectors are nigh;

As soon as they see him coming near,

They make for the door without a fear,

They drink as long as he will buy,

Then sneak to the park, which is nigh;

Now what better "can ons" do we want than these,

That spend their time under the old elm trees?

Slamintina Bones.

TELEGRAPH.

THE CHINESE QUESTION.

NO WONDER THE TOOTH.

We have heard from one of our correspondents that the band of Madjestics have joined the Boxers, under the leadership of their "Father," Le Hunch Lung and Wha-Lee. The only one of the organization who did not wish to kill the foreigner was the able chancellor Wan Harnum. After Wha-Lee heard this he took away Wan's peacock feather and silver buttons. Wan feels sore about it and has joined the foreigners of the fourth ward.

Wendell Wilford King (1897-1965)

A July 2, 2017 article by Larry Ruliso, "Black GE worker left lasting legacy" called attention to a remarkable Burgher:

<http://tinyurl.com/blackgeworker>

For more about Wendell W. King please see <http://tinyurl.com/wendell-w-king> at the LHS website. One example of his pioneering work with radio in Lansingburgh:

WORD FROM CAMP ILIUM; About Forty Youths in Camp in Southern Vermont—Erecting Wireless Station—Founding of Newspaper—Preparing for Fourth.

Camp Ilium, Pownal, Vt., July 2.—With a wireless station, and a newspaper as side attractions to baseball, field events and water sports, Camp Ilium, the Young Men's Christian Association camp for boys near Pownal, Vt., started yesterday what will no doubt prove the liveliest season since its establishment. Thirty-five boys, with Boys' Secretary A. J. Pierce, arrived yesterday morning, and, although it rained for a good part of the day, the campers found plenty to do in the way of amusement.

The Wireless Station.

A special tent for the housing of wireless instruments has been pitched, and William LeMay, the camp operator, hopes to have his machine set up for first operation Saturday evening. The construction of an aerial, sixty feet high and supporting two strands of copper wire 200 feet long, was started this morning and should be ready for the "throw in" by Saturday noon. The establishment of this station has created interest among the campers because of the practical uses to which it may be put. It is expected that the scores of the major and state leagues will be flashed, so that the newspaper to be started next week will have real live telegraphic news to adorn its pages and fascinate its readers. The Troy station with which the camp station is working is situated at the home of Wendell King, First Avenue and Twenty-second Street, Lansingburgh.

Troy Times. July 3, 1915: 16 col 2.

OFFICERS

Acting President – John Ward (2015)

Acting Vice President – Mary Ellen Ward (2015)

Acting Treasurer – Kathy Howard (2017)

Assistant Treasurer – Mary Ellen Ward (2015)

Recording Secretary – Linda Segreto (2016)

Corresponding Secretary – Kathy Fomuk (2017)

TRUSTEES

elected 2015: Michael Barrett, Sue Busta, Pat Dorow, Byron Moak, Chris Philippo, John Ward, Mary Ellen Ward; *elected 2016:* Kathy Fomuk, Dave Goyer, Linda Segretto; *elected 2017:* Kathy Howard, Heidi Klinowski

Help LHS with Amazon Smile!



At the LHS website's homepage appears the above; click the button there or go directly to <https://smile.amazon.com/ch/23-7089102>

Amazon will donate a small percentage of the cost of your subsequent purchases to benefit LHS!

Please visit our website

lansingburghhistoricalsociety.org

It has gone from ten pages in July 2016 to 252 pages as of July 2017!

Corporate Members

All Troy Athletic Club

Carignan Insurance

Danish Brotherhood in America

Diamond Spring Water

Foreign Auto Sales

Fraternal Order of Eagles

Friends of 112th Street

Grethen-Cahrenger Memorials

Historic Eastfield Foundation

J & J Auto Sales

McLoughlin & Mason Funeral Home

Oakwood Cemetery Association

Rensselaer Park PTA

Riverview Funeral Home

Sanvidge Funeral Home

Standard Manufacturing

Testo's Restaurant

Troy Boat and Canoe Club

Troy Irish Genealogical Society

Verdile's Restaurant

Veterans of Lansingburgh

Warren Fane Inc

Calendar

- July 29 Herman Melville Birthday Party – "Melville's Literary Sources" by Mary Edwards \$
- August 12 We Were Burghers Clamsteam at Lansingburgh Veterans Club \$
- September 9 Open House 10:00-2:00
- October 14 Open House 10:00-2:00
- October 21 "Murder at Oakwood" by Warren Broderick at Herman Melville Park \$
- November 4 Open House 10:00-2:00
- November 9 Holiday Party/Auction 6:00-9:00 \$

Suggested donation for Open House \$5. Some other activities are being planned!

For details see our website or Facebook page or contact us!

Our membership year begins on April 1st. Those joining in January, February or March extend their membership through the next membership year. Consider upgrading your Regular Membership to a Sustaining Membership. Encourage friends to join! Regular Membership \$15/year, Sustaining Membership \$40/year. Student/Senior membership \$5/year. Corporate/Professional Membership \$200/year.

Donations are always welcome!

Name _____ Phone _____

Mailing address _____ City & State _____ ZIP _____

Email address _____

Regular ____ Sustaining ____ Student/Senior ____ Professional/Corporate ____ Donation _____

Send to Lansingburgh Historical Society, PO Box 219, Troy NY 12182-0219

If you are on Facebook join us there as well at <https://www.facebook.com/LansingburghHistorical/>

Lansingburgh Historical Society
PO Box 219
Troy NY 12182-0219